



COD.1035

Dimensions:  
H.90, L.70, P.70

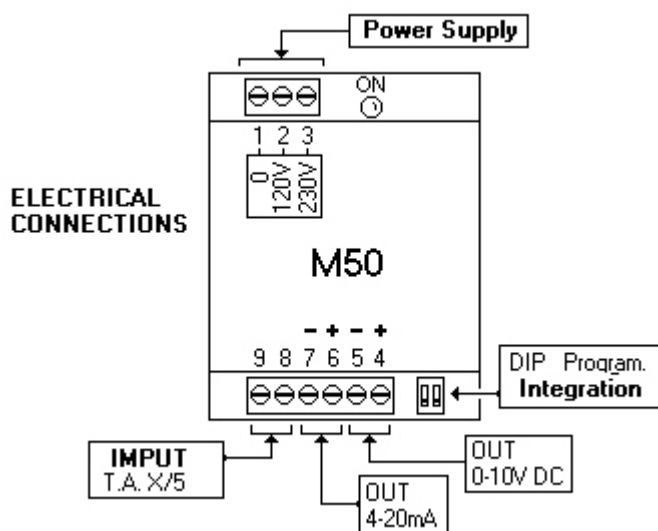
## M50 converter current integrator.

Converter module, transducer current (T.A. X / 5) in two outputs, DC 0-10V and 4-20mA.

Two levels of integration selectable for the use of the reading of the load. To combine with the SSR controlled proportional times or phase angle. **The two outputs are used simultaneously in two inputs insulated from each other.**

### TECHNICAL DATA

- Power supply 120-230V AC 1VA.
- Input T.A. X / 5. terminals. 8 and 9.
- Dropping resistor 0.1 ohms.
- Out 0-10V DC 10mA terminals. 4 and 5.
- Accuracy 1% F.S.
- Out 4-20mA terminals 6 and 7.
- Accuracy 0.5% F.S.
- Integration 0 (OFF dip1 dip2 OFF)  
Time 0-100% 2 Sec.
- Integration 1 (dip1 dip2 ON OFF)  
Time 0-100% 15 Sec.
- Integration 2 (dip1 ON dip2 ON)  
Time 0-100% 30 Sec.



### USING INTEGRATOR



THE integrator device allows to stabilize reading the result of conversion, and is useful in particular if the load is controlled with SSR. For example, if we use SSR control cycles of 0.5 sec. or to a control phase angle is recommended that the level 1, if we use SSR control cycles of 1 Sec. We recommend the level 2. The integrator is not recommended for longer times of 1 Sec., for use with longer times and recommended the zero level, with reading after 2 Sec. by 'activation of the load.